

FORCE FLEX FEEDER

Parts Manual



Pitney Bowes

SURE-FEED ENGINEERING

12050 49th STREET NORTH - CLEARWATER, FL. 33762-4301
PHONE: 727.571.3330 - FAX: 727.571.3443 - TOLL FREE: 1.800.INSERTER
web: sure-feed.com

PITNEY BOWES
Sure-Feed Engineering

14" FORCE FLEX FEEDER

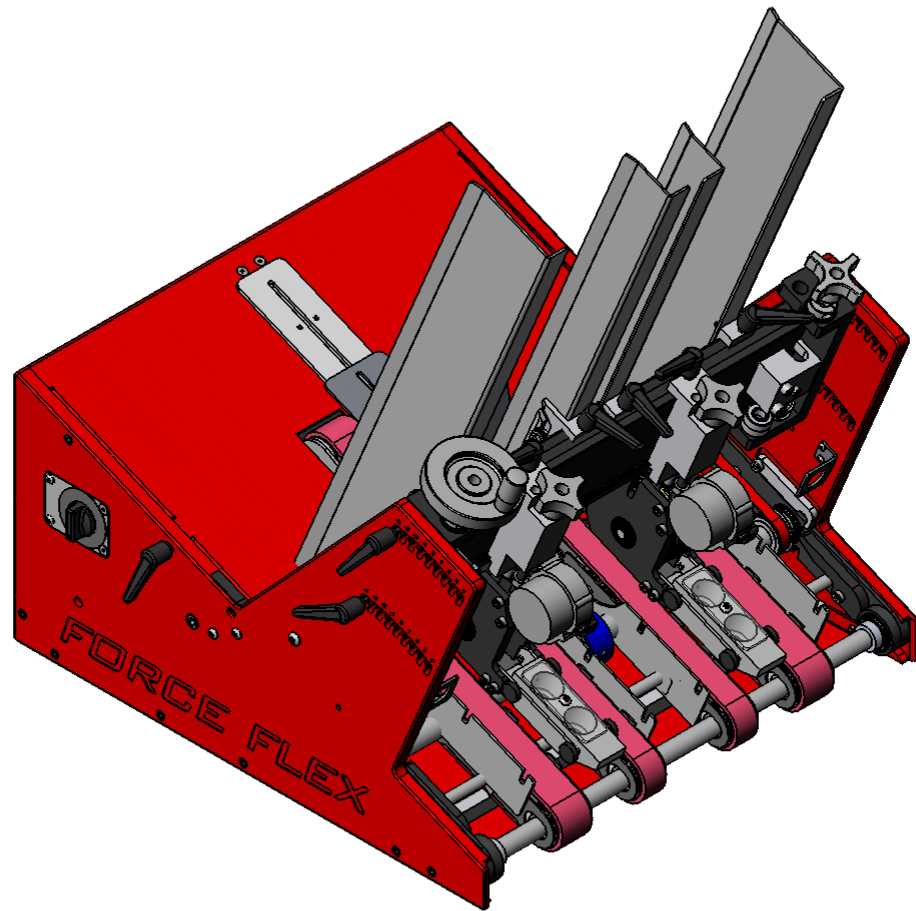


TABLE OF CONTENTS

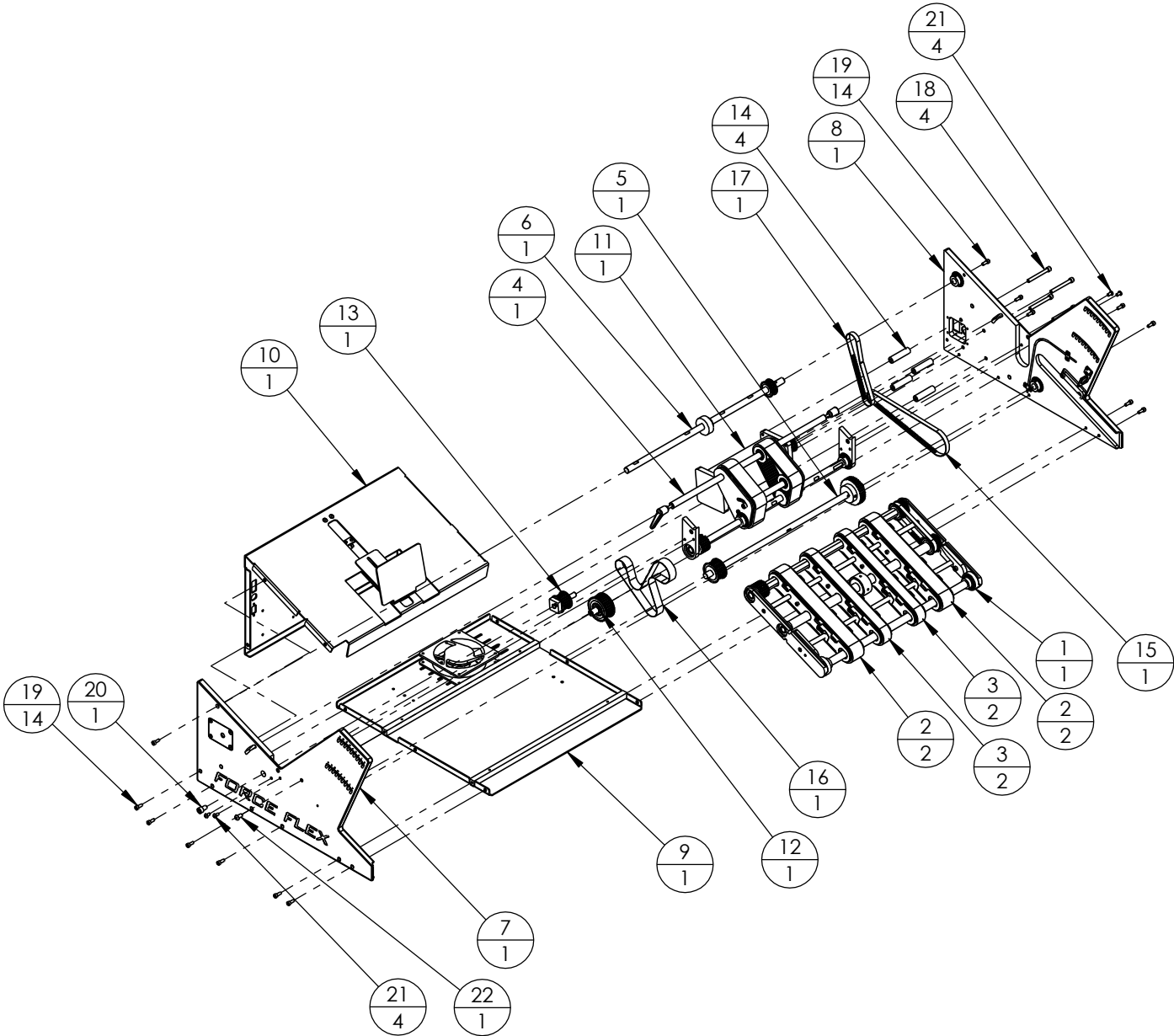
14" FORCE FLEX FEEDER ASSEMBLY (FIG. 1).....4
14" FORCE FLEX FEEDER ASSEMBLY (FIG. 2).....6
 TRANSPORT BELT CARRIAGE (FIG. 3).....8
 WIDE BELT TRACK (FIG. 4).....10
 NARROW BELT TRACK (FIG. 5).....12
 ELEVATOR SHAFT (FIG. 6).....14
 CAM AND DRIVE SHAFTS (FIG. 7).....16
 ADJUSTABLE CROSSBAR (FIG. 8).....18
 SEPERATOR (FIG. 9).....20
 SIDE GUIDES (FIG. 10).....22
 NARROW SIDE GUIDES (FIG. 11).....24
 SIDE FRAMES (FIG. 12).....26
 BOTTOM PLATE & MOTOR (FIG. 13).....28
 TOP COVER (FIG. 14).....30
 CARRIAGE TENSIONER & IDLER (FIG. 15).....32
 MISC. ELECTRICAL (REFERENCE WIRING DIAGRAMS)34

14" FORCE FLEX FEEDER ASSEMBLY (Fig. 1)
(10022-015)

ITEM	PART NO.	QTY.	DESCRIPTION
1	SEE FIG. 3	1	ASSY, TRANSPORT BELT CARRIAGE (10020-336)
2	SEE FIG. 4	2	ASSY, BELT TRACK, WIDE (10020-337)
3	SEE FIG. 5	2	ASSY, BELT TRACK, NARROW (10020-351)
4	SEE FIG. 6	1	ASSEMBLY, ELEVATOR (10020-338)
5	SEE FIG. 7	1	ASSEMBLY, DRIVE SHAFT (10020-340)
6	SEE FIG. 7	1	ASSEMBLY, CAM SHAFT (10020-341)
7	SEE FIG. 12	1	ASSY, RH SIDEFRAE (10020-406)
8	SEE FIG. 12	1	ASSY, LH SIDEFRAE (10020-407)
9	SEE FIG. 13	1	ASSY, BOTTOM PLATE (10020-412)
10	SEE FIG. 14	1	ASSY, TOP COVER (10020-415)
11	SEE FIG. 13	1	ASSY, DRIVR MOTOR (10020-426)
12	SEE FIG. 15	1	ASSY, IDLER, CARRIAGE (10020-423)
13	SEE FIG. 15	1	ASSY, TENSIONER, CARRIAGE (10020-424)
14	10012-037	4	STANDOFF, DC MOTOR
15	99000-093	1	BELT, TIMING, 200XL037
16	99000-308	1	BELT, TIMING, DBL SIDE, 230XL075
17	99000-056	1	BELT, TIMNG, 140XL037
18	-	4	SCREW, SKT HEAD, 1/4-20 X 2-1/4
19	-	14	SCREW, SKT HEAD, #10-24 X 1/2
20	-	1	SCREW, SKT HEAD, 5/16-18 X 1/2
21	-	4	SCREW, BUTTON HEAD, #10-24 X 3/8
22	-	1	SCREW, BUTTON HEAD, 1/4-20 X 1/2

PITNEY BOWES

Sure-Feed Engineering

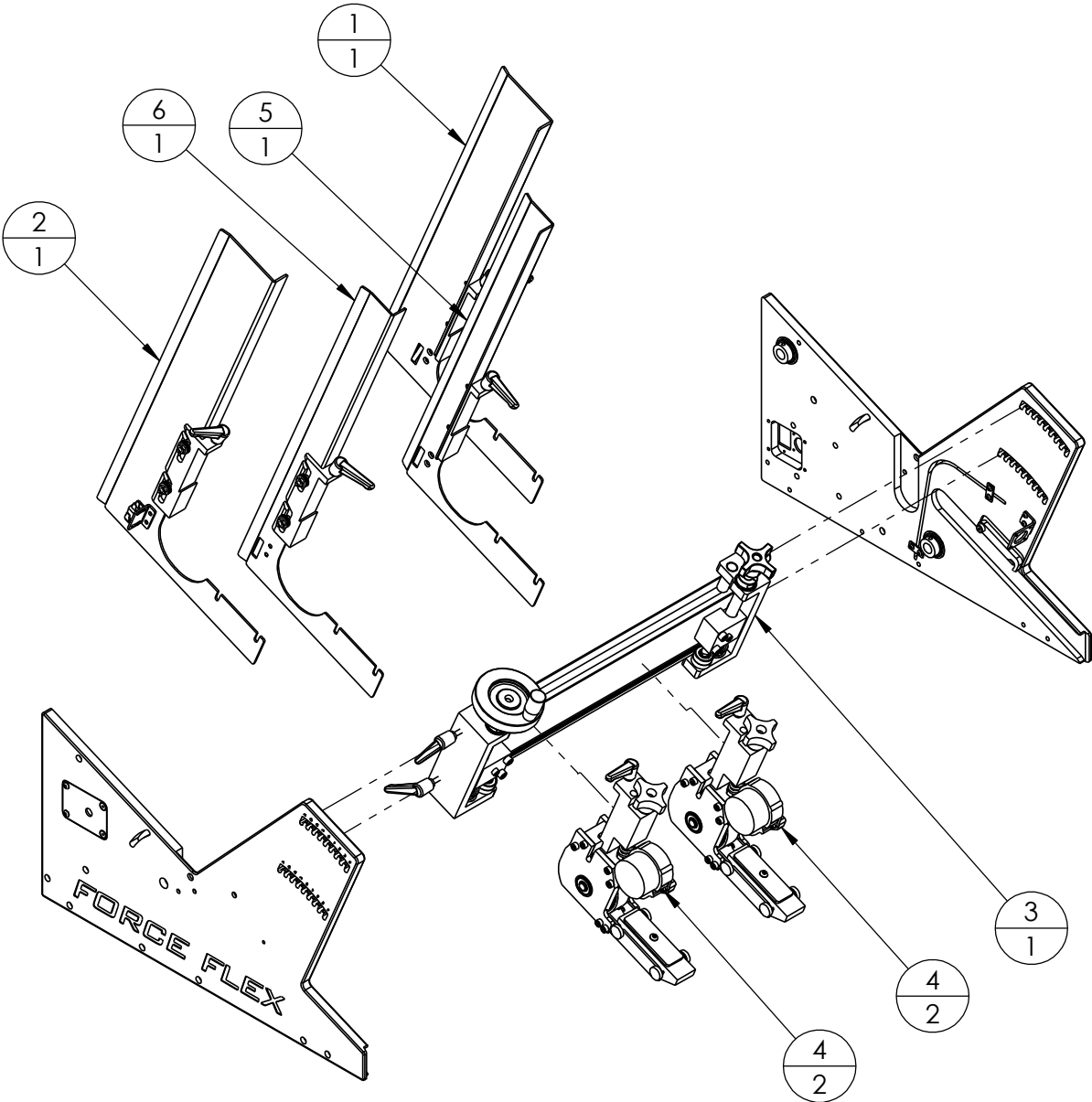


14" FORCE FLEX FEEDER ASSEMBLY (Fig. 2)
(10022-015)

ITEM	PART NO.	QTY.	DESCRIPTION
1	SEE FIG. 10	1	ASSY, SIDE GUIDE , LH (10020-342)
2	SEE FIG. 10	1	ASSY, SIDE GUIDE, RH (10020-343)
3	SEE FIG. 8	1	ASSY, ADJUSTABLE CROSSBAR (10020-335)
4	SEE FIG. 9	2	ASST, SEPERATOR (10020-339)
5	SEE FIG. 11	1	ASSY, SIDE GUIDE, LH NARROW (10020-352)
6	SEE FIG. 11	1	ASSY, SIDE GUIDE, RH NARROW (10020-353)

PITNEY BOWES

Sure-Feed Engineering

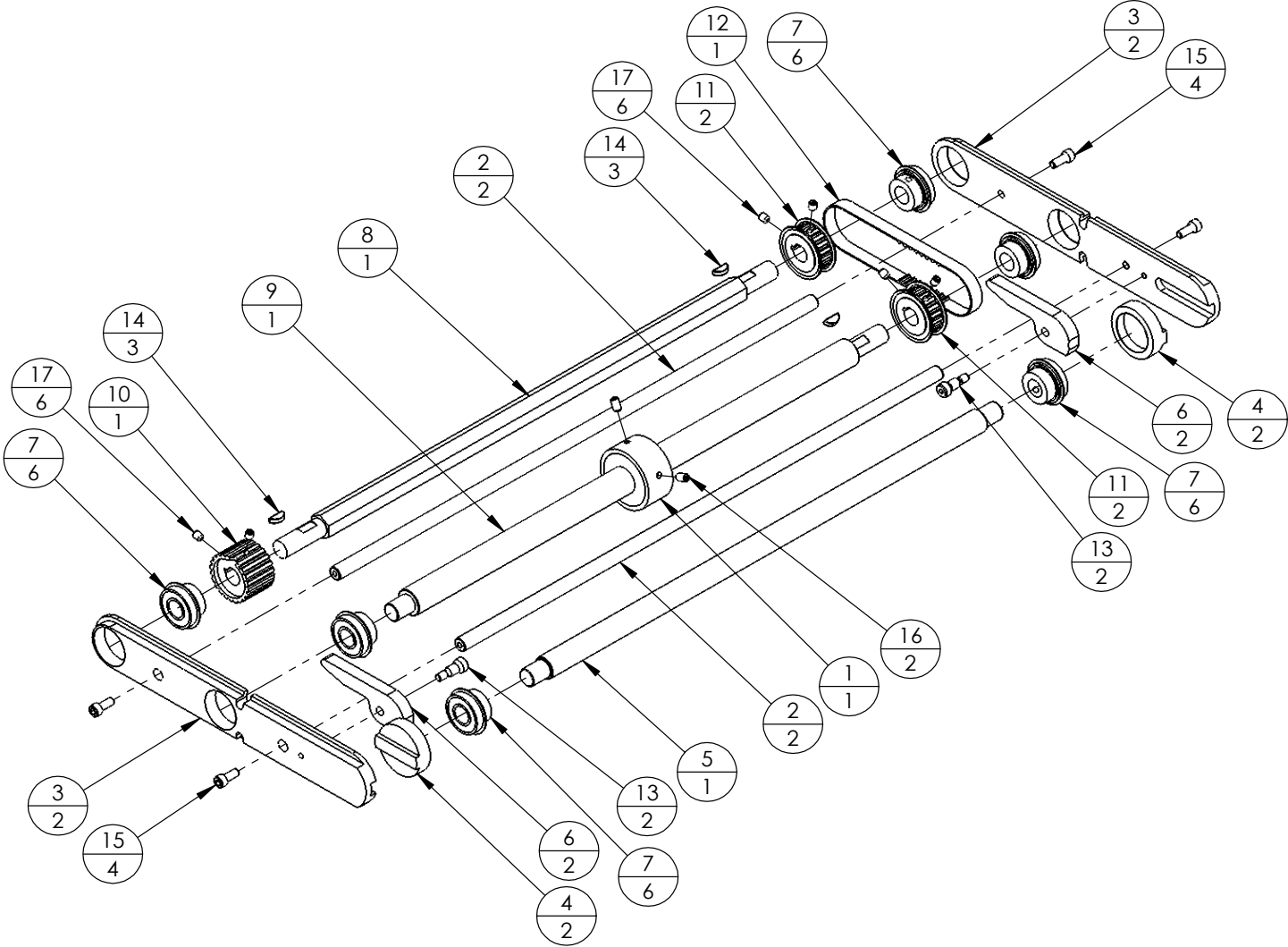


14" FORCE FLEX FEEDER (Fig. 3)
TRANSPORT BELT CARRIAGE ASSEMBLY (10020-366)

ITEM	PART NO.	QTY.	DESCRIPTION
1	10006-070	1	ROLLER, NIP, 3/4"
2	10004-223	2	SHAFT, BELT TRACK SUPPORT
3	10011-058	2	PLATE, CARRIAGE, SIDE
4	10007-116	2	BLOCK, ADJ BEARING
5	10004-220	1	SHAFT, FRONT IDLER
6	10016-006	2	CAM, BELT TENSIONER
7	99003-093	6	BEARING, 1/2 X 1-1/8, SEALED W/ LOCKING COLLAR
8	10004-221	1	SHAFT, HEX DRIVE
9	10004-222	1	SHAFT, NIP SUPPORT
10	10006-114	1	PULLEY, TIMING, 22XL075 W/ RECESS
11	99002-054	2	PULLEY, TIMING, 20XL037, 1/2 BORE W/ KEYWAY
12	99000-003	1	BELT, TIMING, 120XL027
13	99033-004	2	SHOULDER BOLT, 1/4 X 3/8
14	99034-004	3	KEY, WOODRUFF, 1/2 X 1/8
15	-	4	SCREW, SKT HEAD, #10-24 X 1/2
16	-	2	SET SCREW, FLAT, #10-24 X 3/8
17	-	6	SET SCREW, CUP, #10-24 X 1/4

PITNEY BOWES

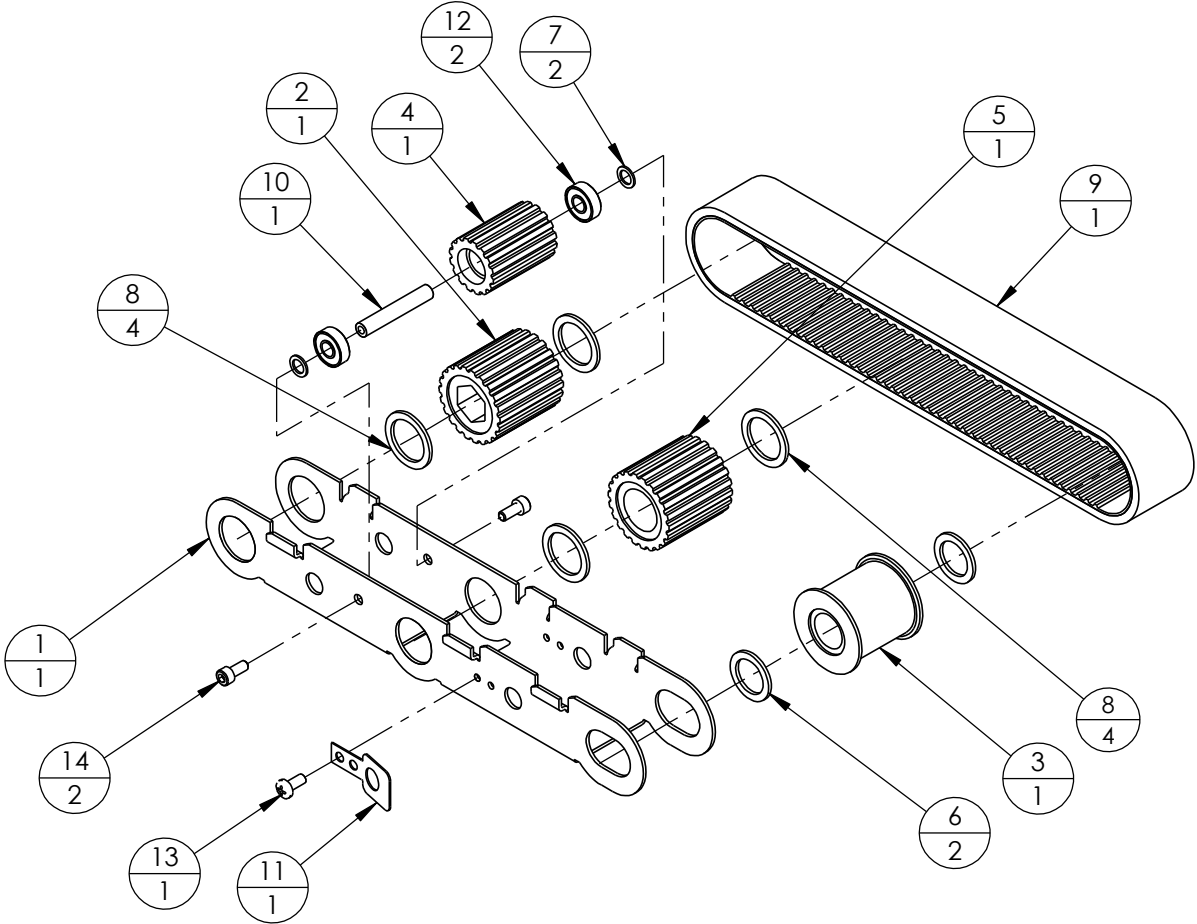
Sure-Feed Engineering



14" FORCE FLEX FEEDER (Fig. 4)
WIDE BELT TRACK ASSEMBLY (10020-337)

ITEM	PART NO.	QTY.	DESCRIPTION
1	10000-077	1	FRAME, BELT TRACK
2	10006-110	1	PULLEY, BELT TRACK DRIVE
3	10006-111	1	PULLEY, BELT TRACK IDLER
4	10006-113	1	PULLEY, BELT IDLER SUPPORT
5	10006-112	1	PULLEY, BELT TRACK SUPPORT
6	99003-021	2	WASHER, NLYON, 5/8 X 1/16
7	99003-032	2	WASHER, NYLON, 1/4 X 1/32
8	99003-082	4	WASHER, NYLON, 3/4 X 1/16
9	10014-042	1	BELT, FEEDER TRANSPORT, 214XL
10	10004-202	1	SHAFT, IDLER SUPPORT
11	10011-055	1	PLATE, SPRING, LOCATING
12	99003-002	2	BEARING, SEALED, 1/4 X 5/8
13	-	1	#8 SHEET METAL SCREW, SELF TAPPING
14	-	2	SCREW, SKT HEAD, #8-32 X 3/8

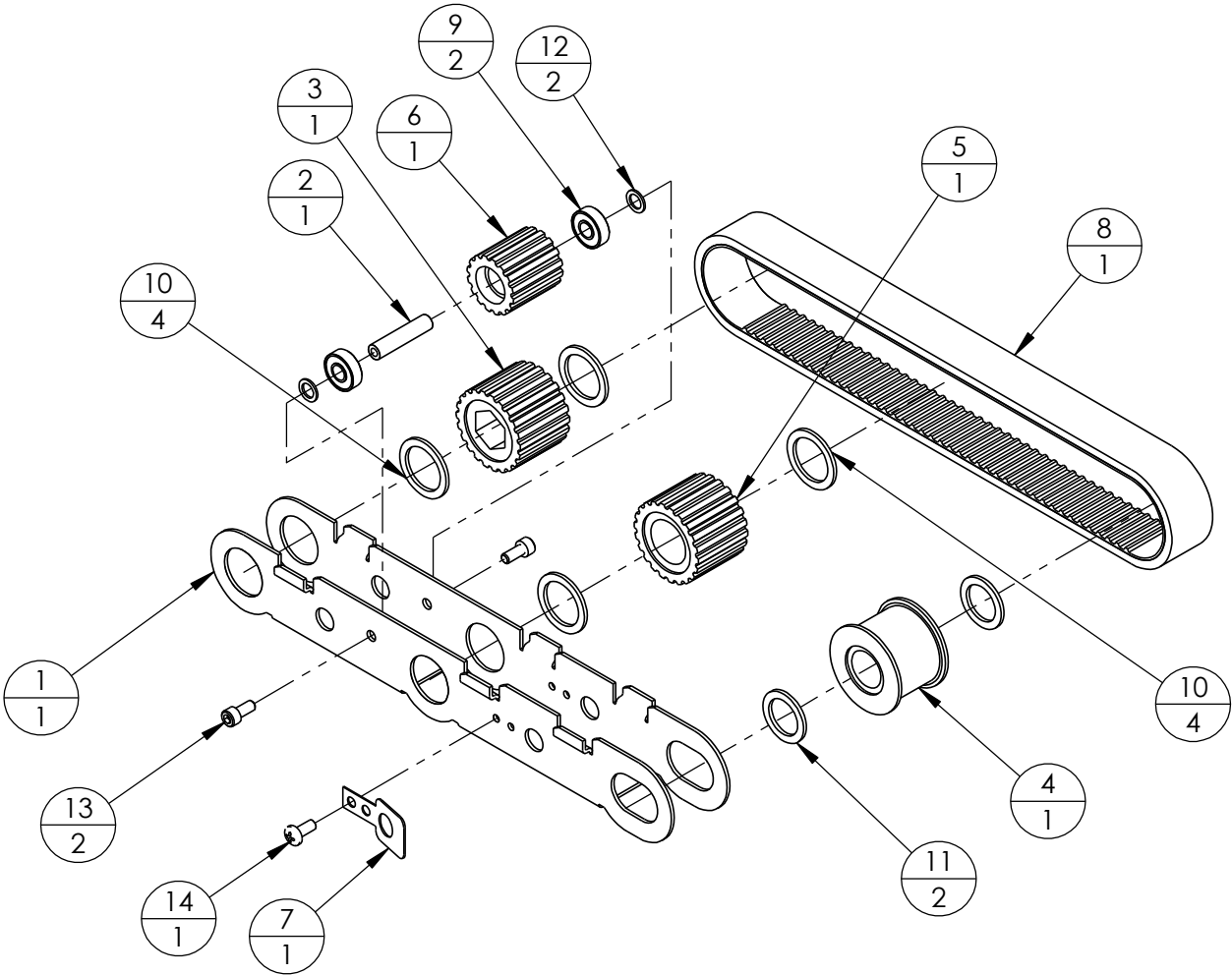
PITNEY BOWES
Sure-Feed Engineering



**14" FORCE FLEX FEEDER (Fig. 5)
 NARROW BELT TRACK ASSEMBLY (10020-351)**

ITEM	PART NO.	QTY.	DESCRIPTION
1	10000-080	1	FRAME, BELT TRACK, NARROW
2	10004-232	1	SHAFT, IDLER SUPPORT, NARROW
3	10006-119	1	PULLEY, BELT TRACK DRIVE, NARROW
4	10006-120	1	PULLEY, BELT TRACK IDLER, NARROW
5	10006-121	1	PULLEY, BELT TRACK SUPPORT, NARROW
6	10006-122	1	PULLEY, BELT IDLER SUPPORT, NARROW
7	10011-055	1	PLATE, SPRING LOCATING
8	10014-044	1	BELT, FEEDER TRANSPORT, 214XL, 7/8 WIDE
9	99003-002	2	BEARING, SEALED, 1/4 X 5/8
10	99003-082	4	WASHER, NYLON, 3/4 X 1/16
11	99003-021	2	WASHER, NYLON, 5/8 X 1/16
12	99003-034	2	WASHER, NYLON, 1/4 X 1/32
13	-	2	SCREW, SKT HEAD, #8-32 X 3/8
14	-	1	#8 SHEET METAL SCREW, SELF TAPPING

PITNEY BOWES
Sure-Feed Engineering

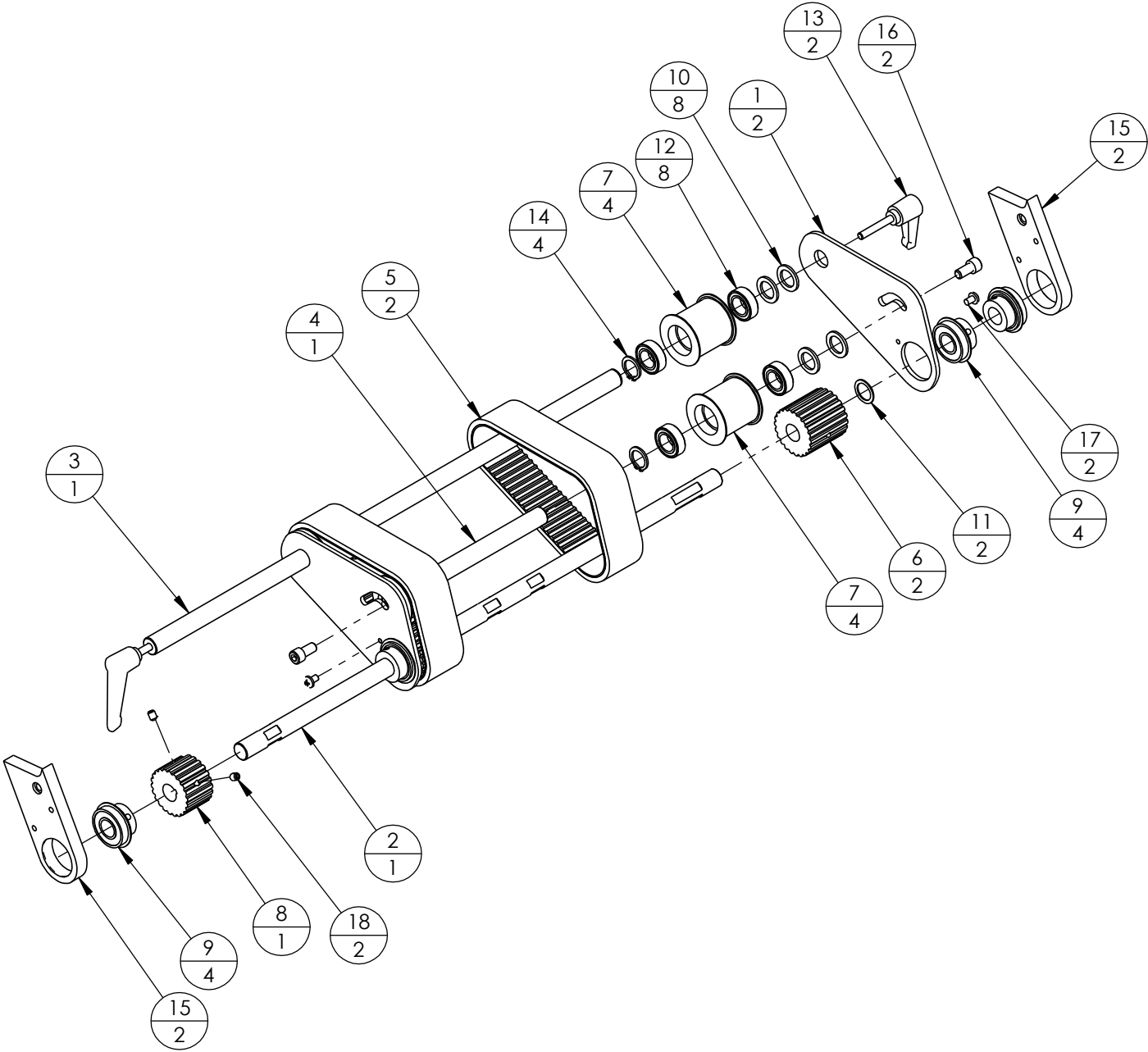


**14" FORCE FLEX FEEDER (Fig. 6)
ELEVATOR ASSEMBLY (10020-338)**

ITEM	PART NO.	QTY.	DESCRIPTION
1	10011-061	2	PLATE, ELEVATOR SIDE
2	10004-228	1	SHAFT, FEEDER DRIVE
3	10004-230	1	SHAFT, ELEVATOR ADJ.
4	10004-229	1	SHAFT, ELEVATOR IDLER
5	10014-043	2	BELT, ELEVATOR, 130XL, 1.25" WIDE
6	10006-116	2	PULLEY, TIMING, 22XL125, 1/2" BORE
7	10006-115	4	PULLEY, ELEVATOR IDLER
8	10006-114	1	PULLEY, DRIVE, 22XL075 W/ RECESS
9	99003-093	4	BEARING, 1/2 X 1-1/8, SEALED W/ LOCKING COLLAR
10	99003-018	8	WASHER, NYLON, 1/2 X 1/16
11	99003-032	2	WASHER, NYLON, 1/2 X 1/32
12	99003-046	8	BEARING, 1/2 X 7/8
13	99004-027	2	HANDLE, ADJ, #10-24 X 1.18
14	99022-004	4	SNAP RING, 1/2"
15	10007-121	2	BLOCK, ELEVATOR BEARING
16	-	2	SCREW, SKT HEAD, 1/4-20 X 1/2
17	-	2	SCREW, SHEET METAL, #8-32 X 3/8
18	-	2	SET SCREW, CUP, #10-24 X 1/4

PITNEY BOWES

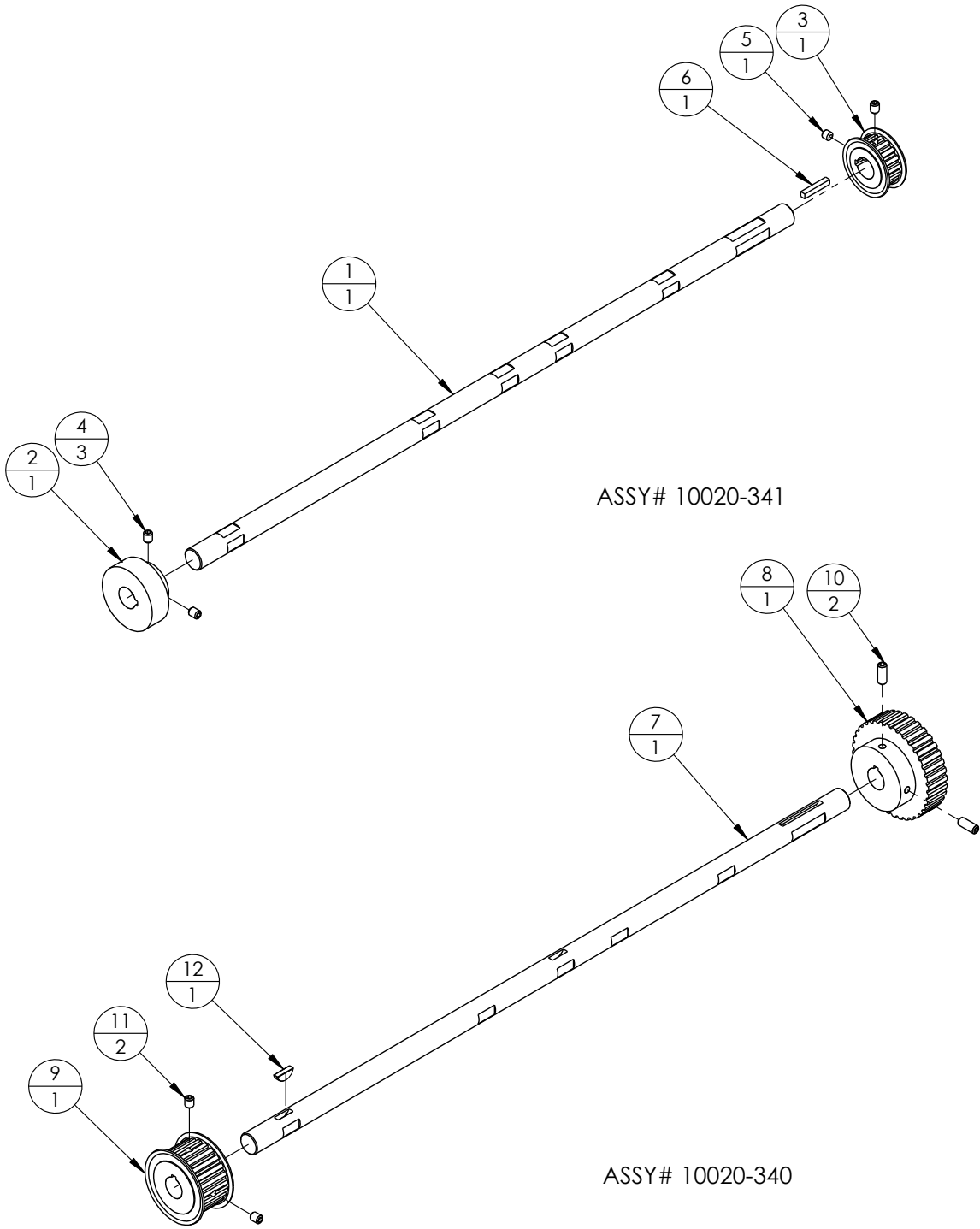
Sure-Feed Engineering



**14" FORCE FLEX FEEDER (Fig. 7)
CAM AND DRIVE SHAFT ASSEMBLIES**

ITEM	PART NO.	QTY.	DESCRIPTION
	10020-341	1	ASSEMBLY, CAM SHAFT
1	10004-228	1	SHAFT, FEEDER DRIVE
2	10006-048	1	CAM, VIBRATING TOP PLATE
3	99002-026	1	PULLEY, TIMING, 18XL037, 1/2 BORE
4	-	3	SET SCREW, CUP, #8-32 X 1/4
5	-	1	SET SCREW, CUP, #8-32 X 3/16
6	99034-003	1	KEY, SQUARE, 1/8 X 3/4
	10020-340	1	ASSEMBLY, DRIVE SHAFT
7	10004-228	1	SHAFT, FEEDER DRIVE
8	99002-005	1	PULLEY, TIMING, 36XL037, 1/2 BORE
9	99002-131	1	PULLEY, TIMING, 24XL075, 1/2 BORE W/ 1/8 KEYWAY
10	99034-004	1	KEY, WOODRUFF, 1/2 X 1/8
11	-	2	SET SCREW, CUP, #10-24 X 1/2
12	-	2	SET SCREW, CUP, #10-24 X 1/4

PITNEY BOWES
Sure-Feed Engineering



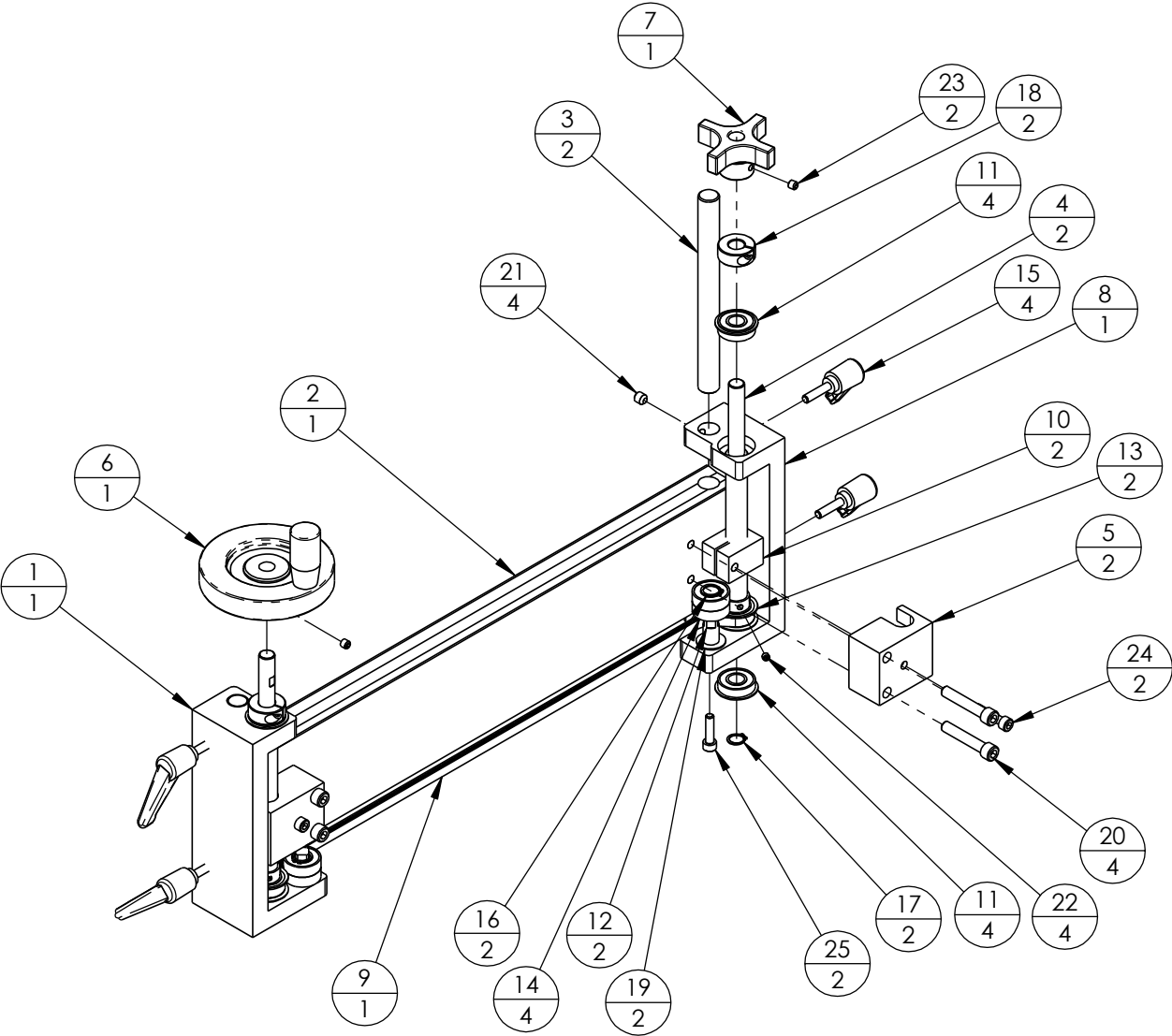
ASSY# 10020-341

ASSY# 10020-340

14" FORCE FLEX FEEDER (Fig. 8)
ADJUSTABLE CROSSBAR ASSEMBLY (10020-335)

ITEM	PART NO.	QTY.	DESCRIPTION
1	10009-076	1	BRACKET, ADJ CROSSBAR, RH
2	10003-025	1	CROSSBAR, ADJUSTABLE
3	10004-227	2	SHAFT, ADJ CROSSBAR GUIDE
4	10004-225	2	SHAFT, THREADED, CROSSBAR ADJUSTING
5	10007-118	2	BLOCK, ADJUSTMENT NUT RETAINER
6	99004-008	1	HANDWHEEL, 3.15 O.D, 3/8 BORE W/ HANDLE
7	99004-032	1	KNOB, 2" O.D, 3/8 B ALUM
8	10009-077	1	BRACKET, ADJ. CROSSBAR, LH
9	99000-297	1	BELT, TIMING, 425MXL025
10	10019-012	2	NUT, CROSSBAR ADJUSTMENT
11	99003-020	4	BEARING, 3/8 X 7/8 SEALED W/ S.R.
12	10004-226	2	SHAFT, STUB, ECCENTRIC IDLER
13	99002-142	2	PULLEY, TIMING, 32MXL025, 3/8 BORE
14	99003-001	4	BEARING, 3/8 X 7/8, SEALED
15	99004-025	4	HANDLE, RACHET, #10-24 X .078
16	99022-003	2	GRIP RING, 3/8"
17	99022-009	2	SNAP RING, 3/8 EXTERNAL
18	99017-048	2	COLLAR, ONE PIECE CLAMP, 3/8 BORE
19	99003-016	2	WASHER, NYLON, 3/8 X 1/32
20	-	4	SCREW, SKT HEAD, 1/4-20 X 1-3/8
21	-	4	SET SCREW, CUP, 1/4-28 X 1/4
22	-	4	SET SCREW, CUP, #8-32 X 1/8
23	-	2	SET SCREW, CUP, #10-24 X 3/8
24	-	2	SCREW, SKT HEAD, #10-24 X 7/8
25	-	2	SCREW, SKT HEAD, #10-24 X 3/4

PITNEY BOWES
Sure-Feed Engineering

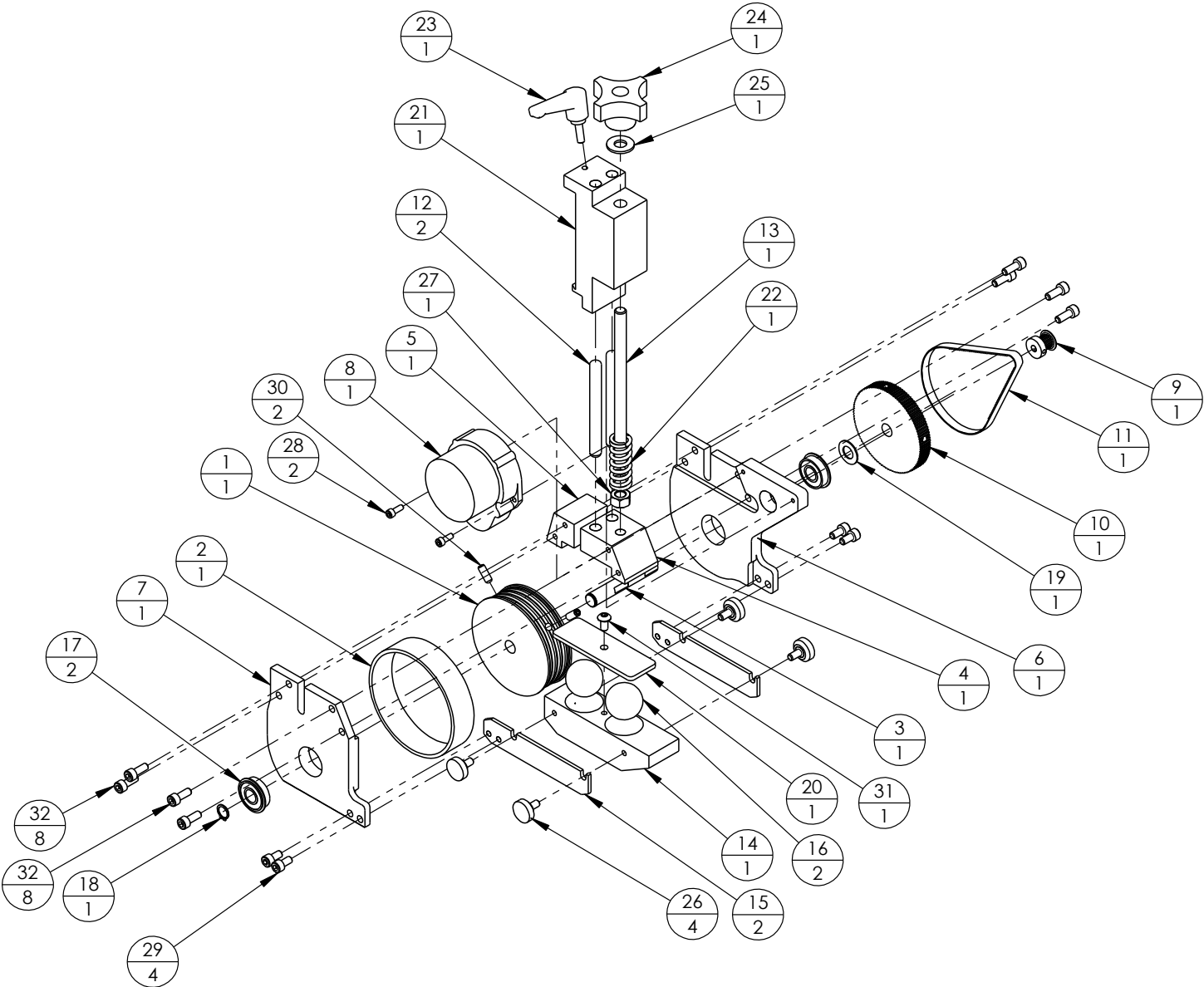


**14" FORCE FLEX FEEDER (Fig. 9)
 SEPERATOR ASSEMBLY (10020-339)**

ITEM	PART NO.	QTY.	DESCRIPTION
1	10006-001	1	WHEEL, SEPERATOR, 3"
2	10014-001	1	BELT, SEPERATOR
3	10004-224	1	SHAFT, SEPERATOR
4	10007-117	1	BLOCK, SEPERATOR MTG.
5	10007-125	1	BLOCK, SEPERATOR MTG, REAR
6	10011-060	1	PLATE, SEPERATOR, LH SIDE
7	10011-059	1	PLATE, SEPERATOR, RH SIDE
8	10018-074	1	ASSEMBLY, MOTOR SEPERATOR W/ PLUG (24 VAC)
9	99002-002	1	PULLEY, TIMNG, 16MXL025, 3/16 BORE
10	99002-001	1	PULLEY, TIMING, 100MXL025, 3/8 BORE
11	99000-311	1	BELT, TIMNG, 134MXL025
12	99006-002	2	PIN, DOWEL, 5/16 X 3
13	10004-211	1	STUD, SEPERATOR ADJUSTMENT
14	10007-119	1	BLOCK, BALL RACK
15	10008-106	2	BAR, BALL RACK MTG.
16	99037-003	2	BALL, 1" CHROME
17	99003-020	2	BEARING, 3/8 X 7/8, SEALED W/ S.R.
18	99022-009	1	SNAP RING, 3/8 EXTERNAL
19	99003-016	1	WASHER, NYLON, 3/8 X 1/32
20	10013-041	1	COVER, BALL RACK
21	10007-123	1	BLOCK, SEPERATOR ADJ.
22	99005-045	1	SPRING, SEPERATOR
23	99004-003	1	HANDLE, RATCHET, #10-24 X 5/8
24	99004-001	1	KNOB, 5/16-24 FEMALE
25	99003-015	1	WASHER, NYLON, 5/16 X 1/16
26	10020-316	4	ASSY, KNOB, #10-24 X 3/8
27	-	1	NUT, HEX, 5/16-24
28	-	2	SCREW, SKT HEAD, #6-32 X 3/8
29	-	4	SCREW, SKT HEAD, #10-24 X 3/8
30	-	2	SET SCREW, #10-24 X 1/2
31	-	1	SCREW, BUTTON HEAD, #10-24 X 3/8
32	-	8	SCREW, SKT HEAD, #10-24 X 1/2

PITNEY BOWES

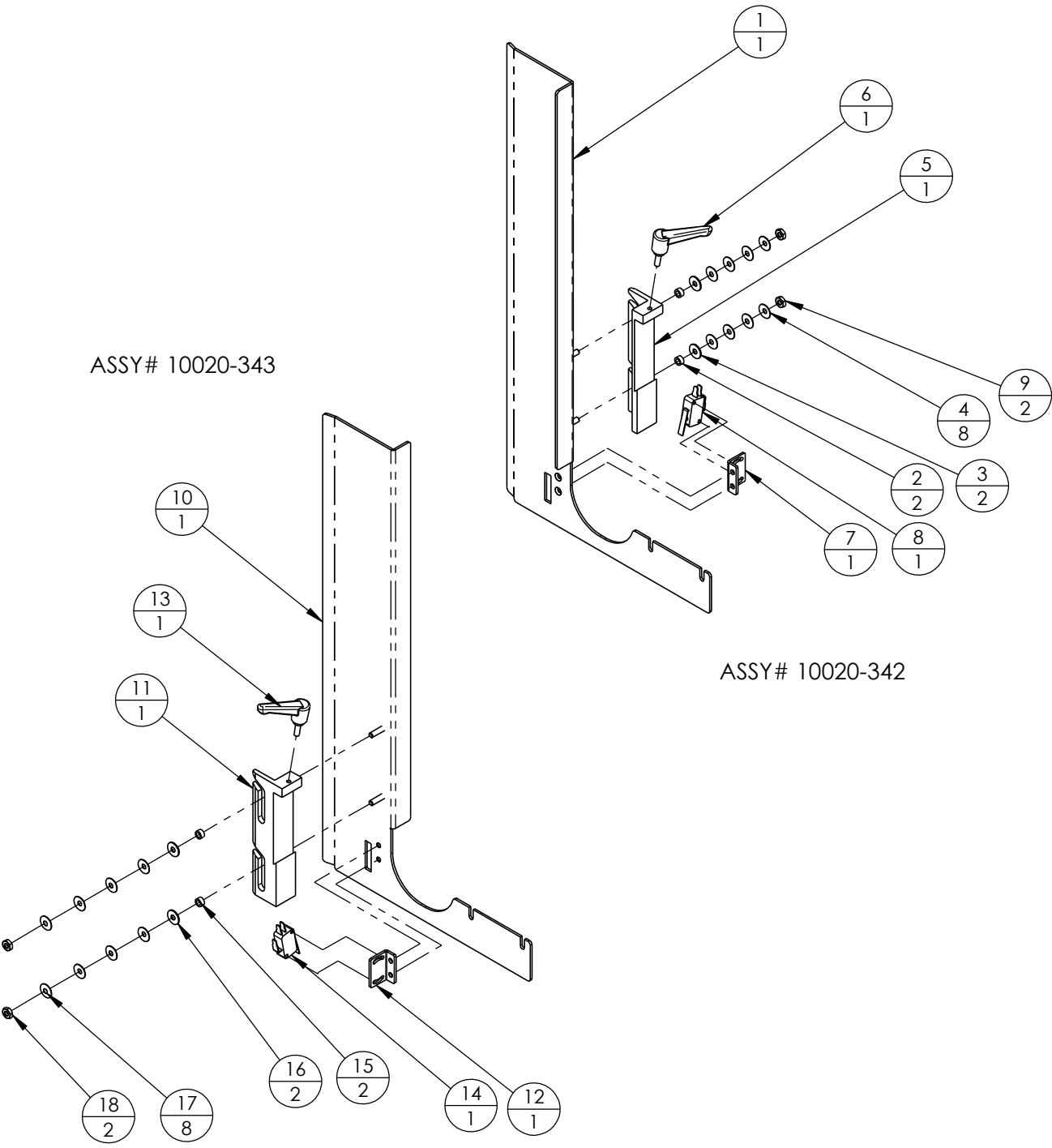
Sure-Feed Engineering



14" FORCE FLEX FEEDER (Fig. 10)
SIDE GUIDE ASSEMBLIES

ITEM	PART NO.	QTY.	DESCRIPTION
	10020-342	1	ASSEMBLY, SIDE GUIDE, LH
1	10005-179	1	SIDE GUIDE, LH
2	10012-039	2	SPACER, SIDE GUIDE MTG.
3	99003-012	2	WASHER, NYLON, .203 X .562 X .040
4	99005-058	8	SPRING WASHER, .190 X .562 X .019
5	10009-079	1	BRACKET, SIDE GUIDE MTG, LH
6	99004-003	1	HANDLE, RATCHET, #10-24 X 5/8
7	10009-089	1	BRACKET, SWITCH MTG.
8	98000-089	1	SWITCH, CHERRY
9	-	2	NUT, NYLOCK, #10-32
	10020-343	1	ASSEMBLY, SIDE GUIDE, RH
10	10005-178	1	SIDE GUIDE, RH
11	10009-078	1	BRACKET, SIDE GUIDE MTG, RH
12	10009-089	1	BRACKET, SWITCH MTG.
13	99004-003	1	HANDLE, RATCHET, #10-24 X 5/8
14	98000-089	1	SWITCH, CHERRY
15	10012-039	2	SPACER, SIDE GUIDE MTG.
16	99003-012	2	WASHER, NYLON, .203 X .562 X .040
17	99005-058	8	SPRING WASHER, .190 X .562 X .019
18	-	-	NUT, NYLOCK, #10-32

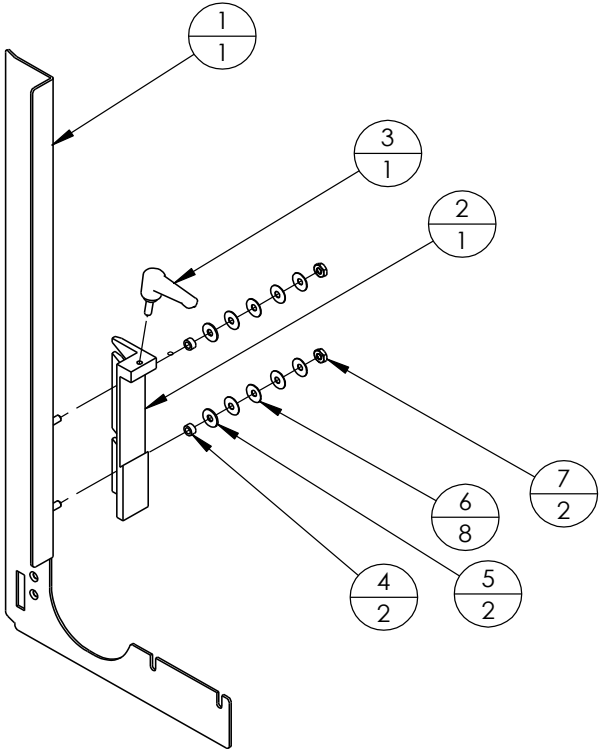
PITNEY BOWES
Sure-Feed Engineering



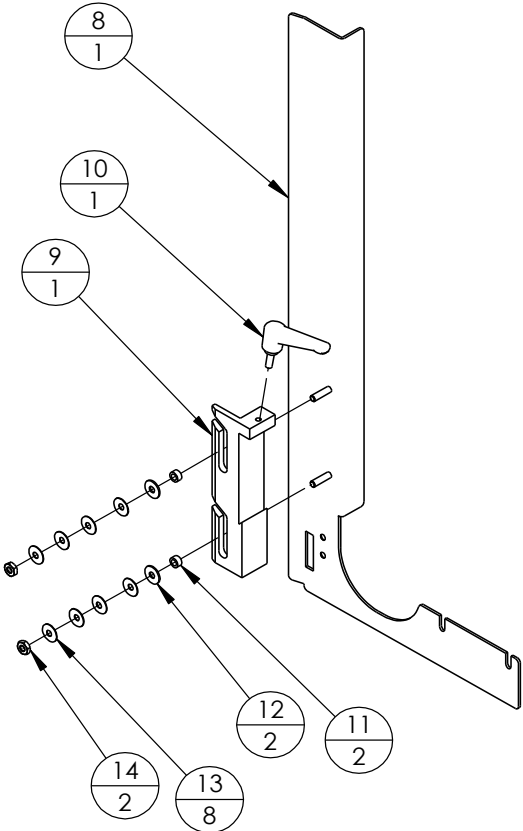
**14" FORCE FLEX FEEDER (Fig. 11)
 NARROW SIDE GUIDE ASSEMBLIES**

ITEM	PART NO.	QTY.	DESCRIPTION
	10020-352	1	ASSEMBLY, SIDE GUIDE, NARROW LH
1	10005-181	1	SIDE GUIDE, LH NARROW
2	10009-079	1	BRACKET, SIDE GUIDE MTG, LH
3	99004-003	1	HANDLE, RATCHET, #10-24 X 5/8
4	10012-039	2	SPACER, SIDE GUIDE MTG.
5	99003-012	2	WASHER, NYLON, .203 X .562 X .040
6	99005-058	8	SPRING WASHER, .190 X .562 X .019
7	-	-	NUT, NYLOCK, #10-32
	10020-353	1	ASSEMBLY, SIDE GUIDE, NARROW RH
8	10005-180	1	SIDE GUIDE, RH
9	10009-078	1	BRACKET, SIDE GUIDE MTG, RH
10	99004-003	1	HANDLE, RATCHET, #10-24 X 5/8
11	10012-039	2	SPACER, SIDE GUIDE MTG.
12	99003-012	2	WASHER, NYLON, .203 X .562 X .040
13	99005-058	8	SPRING WASHER, .190 X .562 X .019
14	-	-	NUT, NYLOCK, #10-32

PITNEY BOWES
Sure-Feed Engineering



ASSY# 10002-353



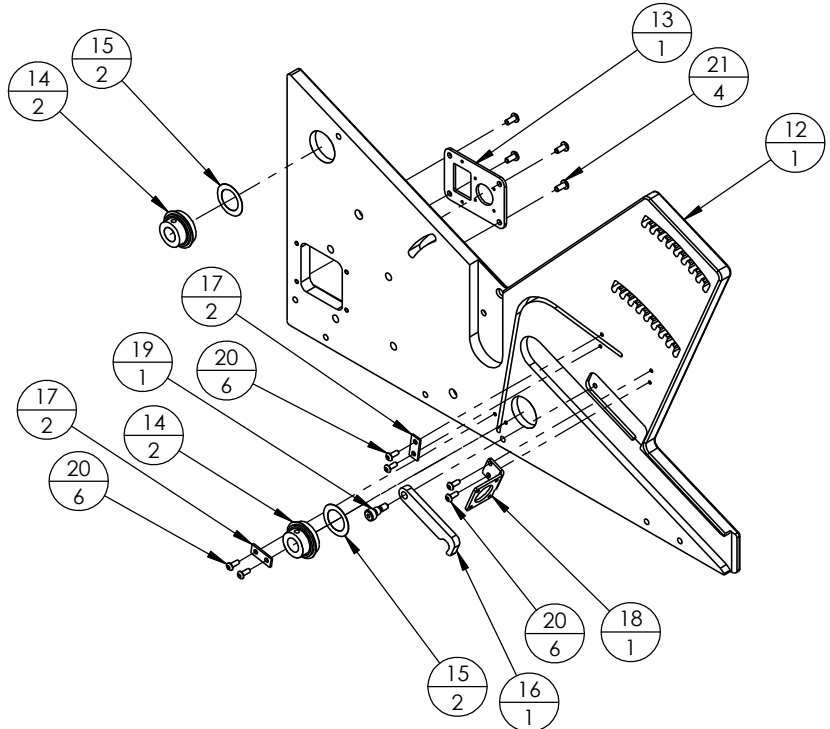
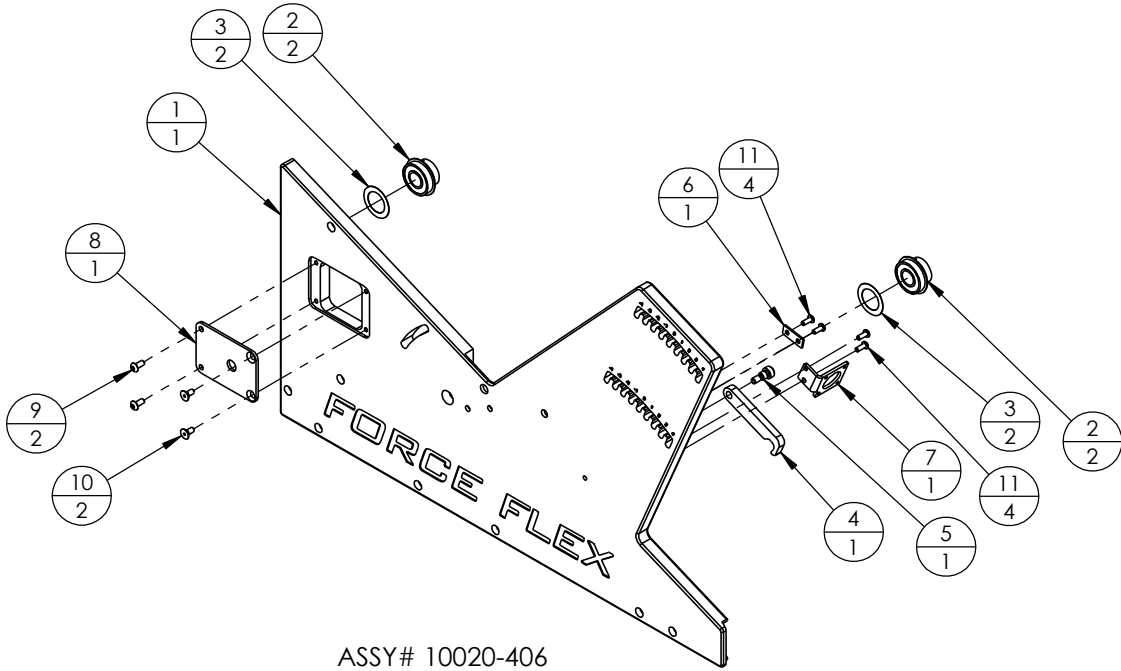
ASSY# 10002-352

**14" FORCE FLEX FEEDER (Fig. 12)
 SIDE FRAME ASSEMBLIES**

ITEM	PART NO.	QTY.	DESCRIPTION
	10020-406	1	ASSEMBLY, RH SIDEFAME
1	10000-078	1	SIDEFAME, RH
2	99003-093	2	BEARING, 1/2 X 1-1/8, SEALED W/ LOCKING COLLAR
3	99036-003	2	SHIM, BEARING, 3/4 X 1-1/8 X .009
4	10008-107	1	LATCH, CARRIAGE
5	99033-006	1	SHOULDER BOLT, 1/4 X 1/4
6	10011-068	1	PLATE, WIRE CLAMP
7	10009-082	1	BRACKET, PLUG MTG, RH
8	10011-065	1	BRACKET, SPEED POT MTG.
9	-	2	SCREW, BUTTON HEAD, #8-32 X 3/8
10	-	2	SCREW, FLAT HEAD, #8-32 X 3/8
11	-	4	SCREW, BUTTON HEAD, #6-32 X 3/8
	10020-407	1	ASSEMBLY, LH SIDEFAME
12	10000-079	1	SIDEFAME, LH
13	10011-063	1	PLATE, ELECTRICAL CONNECTOR, LH
14	99003-093	2	BEARING, 1/2 X 1-1/8, SEALED W/ LOCKING COLLAR
15	99036-003	2	SHIM, BEARING, 3/4 X 1-1/8 X .009
16	10008-107	1	LATCH, CARRIAGE
17	10011-068	2	PLATE, WIRE CLAMP
18	10009-083	1	BRACKET, PLUG MTG, LH
19	99033-006	1	SHOULDER BOLT, 1/4 X 1/4
20	-	6	SCREW, BUTTON HEAD, #6-32 X 3/8
21	-	4	SCREW, BUTTON HEAD, #8-32 X 3/8

PITNEY BOWES

Sure-Feed Engineering

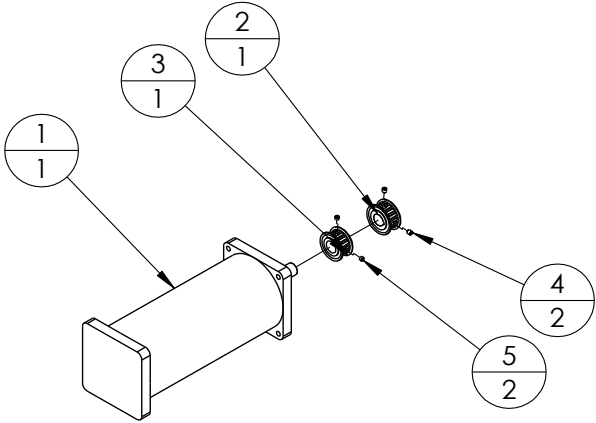


**14" FORCE FLEX FEEDER (Fig. 13)
 BOTTOM PLATE & MOTOR DRIVE ASSEMBLIES**

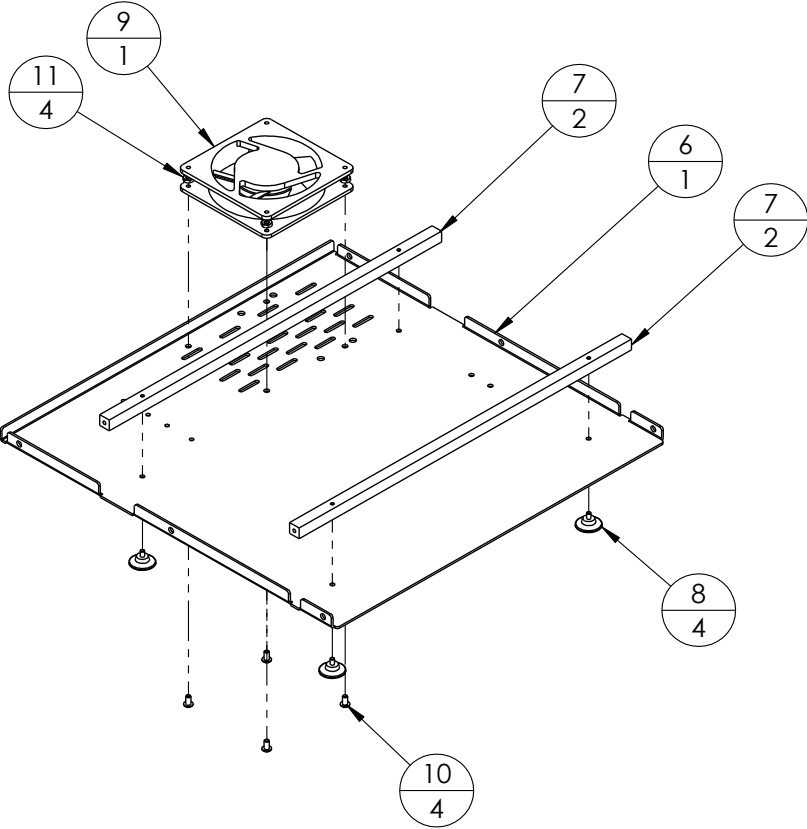
ITEM	PART NO.	QTY.	DESCRIPTION
	10020-426	1	ASSEMBLY, MOTOR DRIVE
1	99001-050	1	MOTOR, 1/4 HP, 90VDC, 3500 RPM
2	99002-048	1	PULLEY, TIMING, 16XL037, 1/2" BORE
3	99002-067	1	PULLEY, TIMING, 15XL037, 1/2" BORE
4	-	2	SET SCREW, #8-32 X 3/16 FLAT
5	-	2	SET SCREW, #8-32 X 1/8 FLAT
	10020-412	1	ASSEMBLY, BOTTOM PLATE
6	10002-024	1	BOTTOM PLATE
7	10003-026	2	CROSSBAR, LOWER
8	99007-001	4	FOOT, SUCTION, #8-32
9	10020-428	1	ASSEMBLY, FAN, 115 VAC, 81 CFM
10	-	4	SCREW, BUTTON HEAD, #10-24 X 1/2
11	-	4	HEX NUT, #10-24

PITNEY BOWES

Sure-Feed Engineering



ASSY# 10020-426



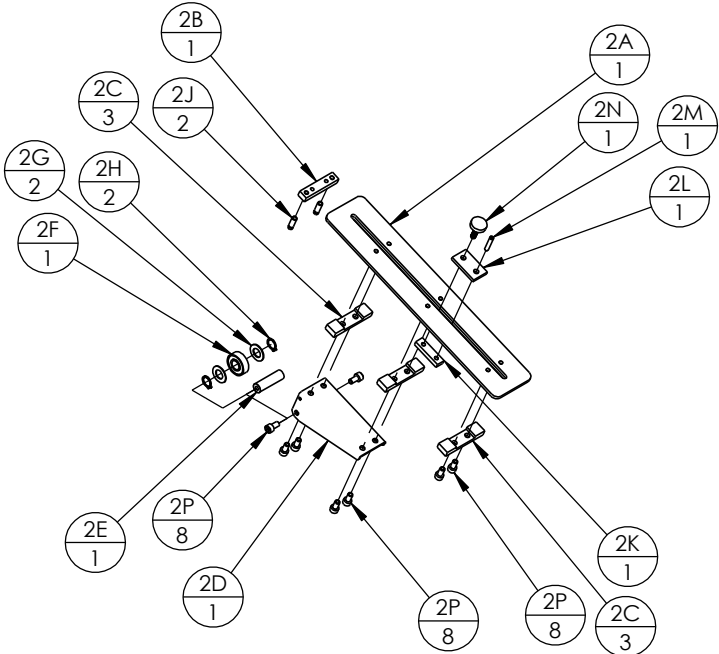
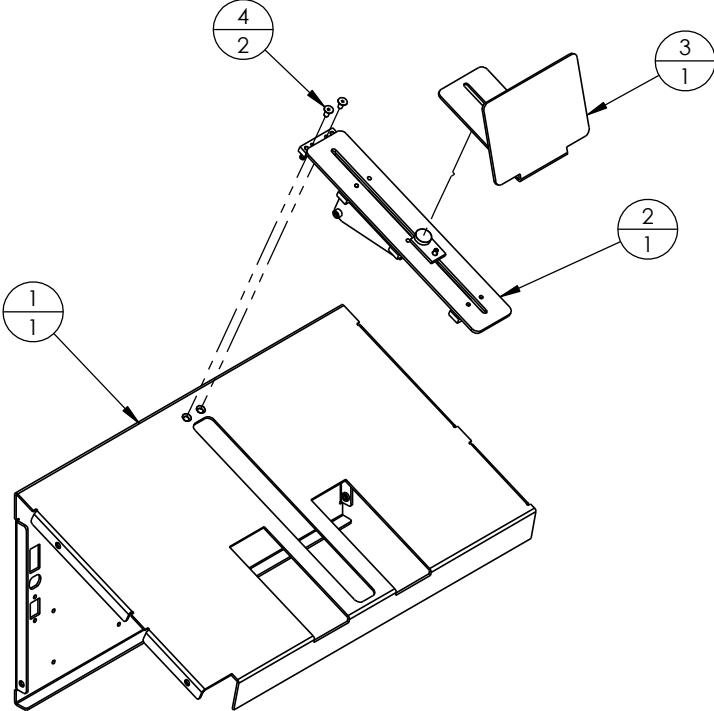
ASSY# 10020-412

**14" FORCE FLEX FEEDER (Fig. 14)
TOP COVER ASSEMBLY (10020-415)**

ITEM	PART NO.	QTY.	DESCRIPTION
1	10001-047		TOP COVER, IJ
2	10020-422	1	ASSEMBLY, VIBRATOR TOP
2A	10007-120	1	PLATE, REAR WEDGE MTG.
2B	10007-124	1	BLOCK, SPRING MTG.
2C	10007-113	3	BLOCK, REAR WEDGE PLATE GUIDE
2D	10009-080	1	BRACKET, VIBRATION DRIVE
2E	10004-054	1	SHAFT, VIBRATING ROLLER MTG.
2F	99003-001	1	BEARING, SEALED, 3/8 X 7/8
2G	99003-016	2	WASHER, NYLON, 3/8 X 1/32
2H	99022-003	2	SNAP RING, 3/8
2J	99006-038	2	PIN, SPRING MTG, #10-32 X 5/8
2K	10007-111	1	NUT, PAPER SLIDE
2L	10007-004	1	WASHER, PAPER SLIDE
2M	99006-020	1	PIN ROLL, 5/32 X 5/8
2N	10020-429	1	KNOB, #10-24 X 5/8
2P	-	8	SCREW, SKT HEAD, #10-24 X 3/8
3	10020-421	1	ASSY, REAR WEDGES
4	-	2	SCREW, FLAT HEAD, #8-32 X 3/8

PITNEY BOWES

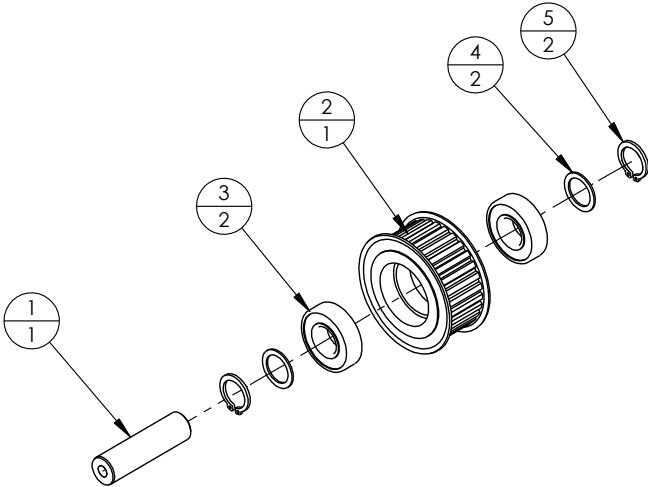
Sure-Feed Engineering



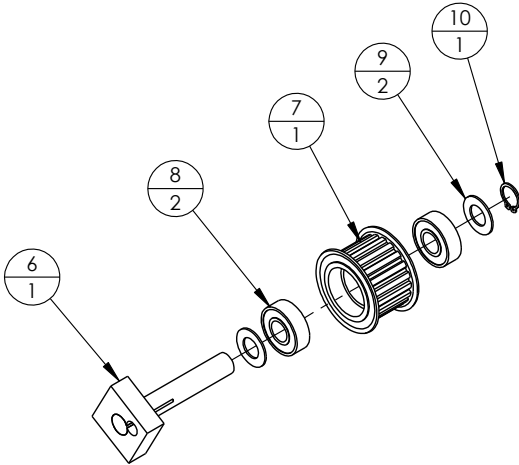
**14" FORCE FLEX FEEDER (Fig. 15)
 CARRIAGE TENSIONER & IDLER ASSEMBLIES**

ITEM	PART NO.	QTY.	DESCRIPTION
	10020-423	1	ASSEMBLY, CARRIAGE IDLER
1	10004-231	1	SHAFT, FIXED STUB IDLER
2	10006-118	1	PULLEY, IDLER, 30XL075
3	99003-003	2	BEARING, 1/2 X 1-1/8 SEALED
4	99003-032	2	WASHER, NYLON, 1/2 X 1/32
5	99022-004	2	SNAP RING, 1/2
	10020-424	1	ASSEMBLY, CARRIAGE TENSIONER
6	16004-032	1	SHAFT, ECCENTRIC IDLER, 3/8
7	10006-117	1	PULLEY, IDLER, 20XL075
8	99003-001	2	BEARING, 3/8 X 7/8
9	99003-016	2	WASHER, NYLON, 3/8 X 1/32
10	99022-003	1	SNAP RING, 3/8

PITNEY BOWES
Sure-Feed Engineering



ASSY# 10020-423



ASSY# 10020-424

**14” FORCE FLEX FEEDER (Reference wiring drawings)
 ELECTRICAL ASSEMBLY**

ITEM	PART NO.	QTY.	DESCRIPTION
REF	10018-089	1	HOOD ASSEMBLY, J1
1	98003-001	1	INLET, POWER CORD
2	98004-054	1	CIRCUIT BREAKER, 5 AMP
3	98020-092	1	LINE FILTER, 6 AMP
4	98000-033	1	SWITCH, ROCKER, SPST
5	98000-062	2	GROUND TERMINAL
6	98001-093	2	DOUBLE LAYER TERMINAL BLOCK
7	98000-089	1	DOUBLE LAYER TERMINAL BLOCK
8	98000-088	2	COVER, DOUBLE LAYER TERMINAL
9	98002-041	2	RELAY, SPDT, 24V AC/DC
10	98002-042	1	RELAY, DPDT, 30A, 24V~
11	98000-087	1	TWIN ILLUMINATED PUSHBUTTON (I/LED/O)
12	98000-037	1	CLIP, SWITCH, 3 BLOCK
13	98000-028	1	N.O. CONTACT BLOCK
14	98000-038	2	N.C. CONTACT BLOCK
15	98000-060	1	LED BLOCK
16	98022-009	1	LED, WHITE
17	98000-016	1	SWITCH, PUSH-PULL STOP W/STOP
18	98000-053	1	LABEL, ESTOP
19	98000-027	1	CLIP, SWITCH, ROUND
20	98016-012	1	CONNECTOR, SOCKET, 16 POSITION
21	98016-005	1	BACKSHELL
22	98016-027	14	SOCKET
K3	OPTIONS		
	98001-089	1	DOUBLE LAYER TERMINAL BLOCK (DRY CONTACT)
	98004-041	OPT	RELAY, SPDT, 24V AC/DC (24V TRIGGER INTERFACE)
	98004-051	OPT	RELAY, SPDT, 120VAC (120V~ TRIGGER INTERFACE)
	98020-082	OPT	OUTPUT MODULE,4-28VDC, 12-280VAC

**14" FORCE FLEX FEEDER (Reference electrical drawings)
 CHASSIS ASSEMBLY**

ITEM	PART NO.	QTY.	DESCRIPTION
REF	10018-090	1	CHASSIS ASSEMBLY, P1
1	10018-091	1	TOROID TRANSFORMER ASSY (Omit for 115V~)
REF	10018-092	1	DRIVE ASSEMBLY (STD)
2	98005-023	1	DC MOTOR CONTROL, KBWD-13 (STD)
3	98006-040	1	RESISTOR, HP, 0.18Ω
2-OPT	10018-093	1	DRIVE ASSEMBLY (FOLLOW)
	98005-022	1	DC MOTOR CONTROL, KBWS-23D
REF	10018-086	1	SPEED POT ASSEMBLY (STD)
4	98006-007	1	POTENTIOMETER, 5KΩ
5	10011-065	1	FF SPEED POT PLATE (RED)
6	98006-004	1	DIAL FACE
7	98006-035	1	LOCK, POTENTIOMETER
8	98006-021	1	KNOB
9	98016-219	3	FASTON CONNECTOR, 0.25" FEMALE
REF	10018-094	1	MOTOR ASSEMBLY (STD) & (FOLLOW)
10	99001-050	1	MOTOR, 3500 RPM, 0.25HP
REF	10018-097	1	24V TRANSFORMER
11	98008-017	1	TRANSFORMER, 230/115:24/12, 25VA
12	98016-217	8	FASTON CONNECTOR, 0.187" FEMALE
REF	10018-099	1	TERMINAL BLOCK 1 ASSEMBLY
13	98001-062	2	TERMINAL BLOCK, GROUND, SCREW
14	98001-103	5	TERMINAL BLOCK, SINGLE, POP-OFF FUSE
15	98001-104	2	TERMINAL BLOCK COVER, SINGLE POP-OFF FUSE
16	98001-107	2	TERMINAL BLOCK, DUAL, POP-OFF FUSE
17	98001-108	1	TERMINAL BLOCK COVER, DUAL POP-OFF FUSE
18	98001-105	6	POP-OFF FUSE HOLDER
19	98004-066	1	FUSE, 3.5 A (FEEDER MOTOR)
20	98004-019	3	FUSE, 0.5 A (24V TRANSFORMER)
21	98004-047	2	FUSE, 4A (TOROID TRANSFORMER)
22	98001-089	2	TERMINAL BLOCK, DUAL
23	98001-088	1	TERMINAL BLOCK COVER, DUAL
24		4"	DIN RAIL, 1" WD
25	98001-066	2	FUSE JUMPERS

PITNEY BOWES

Sure-Feed Engineering

ITEM	PART NO.	QTY.	DESCRIPTION
REF	10018-098	1	SEPARATOR Y ASSEMBLY
	98020-029	1	CAPACITOR, 5.65 μ F, 250V (60 HERTZ)
	98020-033	OPT	CAPACITOR, 8.25 μ F, 250V (50 HERTZ)
	98016-011	2	CONNECTOR, 4 SOCKET, FLANGED
	98016-027	6	SOCKET
	98016-015	2	BACKSHELL
REF	10018-096	1	PRODUCT LEVEL ASSEMBLY
	98000-089	2	SWITCH,LIMIT, CHERRY
	98016-153	2	MALE CONNECTOR, 8 PIN
	98016-146	4	PIN, MALE
	98016-230	2	CONNECTOR, FLANGED, 8 SOCKET, FEMALE
	98016-145	4	SOCKET
	98016-228	1	CONNECTOR (P2)
	98016-025	4	PIN
	98016-227	1	CONNECTOR (J2)
	98016-027	4	SOCKET
	98010-189	2	COILED CABLE, 23/3